



ND SATCOM

WAVEGUIDE SWITCHING SYSTEM 1+1 Redundancy 750W Ku-Band Outdoor

ND SatCom has been a supplier to the Satellite Communication industry for over three decades and has built up an excellent reputation for consistently developing high-end satellite communication products at competitive prices to our customers in more than 130 countries worldwide. Our team of dedicated engineers work closely together with customers worldwide to develop, tailor and adapt our product portfolio for broadcast and network solutions to future market requirements with most reliable quality standards.

The Waveguide Switching System is ideally suited to the RCU 5000 series and HPA Ku-Band series manufactured by ND SatCom. Predefined cable sets with easy integration of the complete redundant system in a dedicated designed outdoor frame or complex switching systems with filters, hybrid couplers according to customer needs are also possible.

Each unit is individually tested with test procedures which are prepared and released by the Prime System Engineer. Our switching system is the best choice for high performance redundancy applications specifically tailor engineered and adapted for the customers.

KEY FEATURES

- Compact design
- Easy Installation
- Safe and Ease with Maintenance
- Outdoor Version
- Designed for ND SatCom RCU applications
- Compatible with ND SatCom HPAs
- Standard cable set

OPTIONS

- Crossguide coupler
- Air inlet & pressure window
- Antenna/Load Switch
- Polarization Switch

TECHNICAL SPECIFICATION

RF SPECIFICATIONS

Frequency Range	Ku-Band (12.75GHz – 14.5GHz)
Waveguide Size	WR75
Insertion loss	< 0.3 dB
VSWR (Max.)	1:1.22
Max. Power capacity (Load)	1000 W

ENVIRONMENTAL SPECIFICATIONS

Temperature Range	-35 °C to + 65 °C
-------------------	-------------------

PHYSICAL SPECIFICATIONS

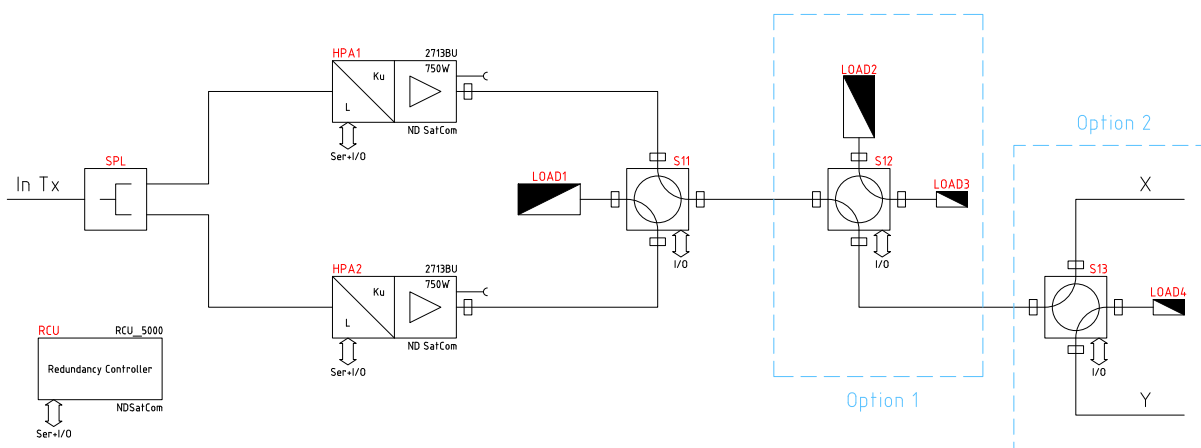
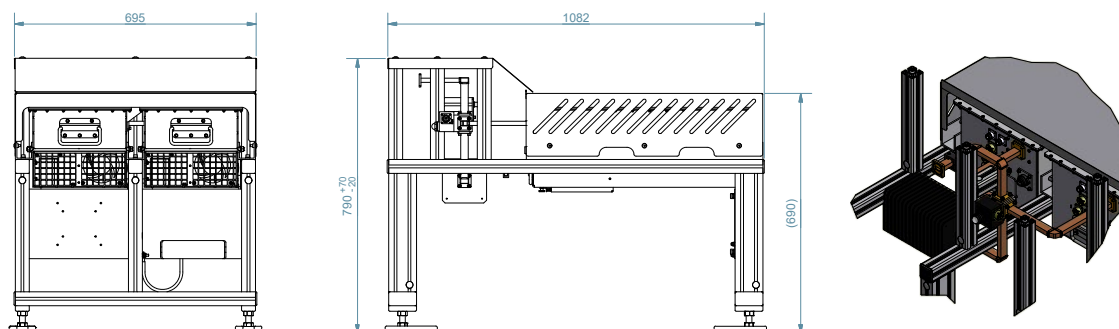
Mechanical Size (LxWxH)	1082 x 695 x 790 mm
Shipping Dimension	1380 x 1080 x 1290 mm
Weight without HPA (approx.)	40 kg

INTERFACES

Controller	RCU 5000 series
Mountable HPA (750W)	2712B, 2713B, 2712BL, 2713BL, 2713BUL, 2713BU

ORDER CODE

Redundant	E-41A16475
Antenna/Load Switch	Option 1
Polarization Switch	Option 2



HEADQUARTERS

ND SatCom GmbH
 Graf-von-Soden-Strasse
 88090 Immenstaad
 Germany
 PHONE: +49 7545 939 0
 FAX: +49 7545 939 8780
 E-Mail: info@ndsatcom.com

CHINA

ND SatCom (Beijing) Co. Ltd.
 PHONE: +86 10 6590 6869/6878

MIDDLE EAST

ND SatCom FZE
 PHONE: +97148865012

www.ndsatcom.com

ND SATCOM