

ND SATCOM

WAVEGUIDE SWITCHING SYSTEM 1+1 Redundancy 750W DBS-Band Indoor

ND SatCom has been a supplier to the Satellite Communication industry for over three decades and has built up an excellent reputation for consistently developing high-end satellite communication products at competitive prices to our customers in more than 130 countries worldwide. Our team of dedicated engineers work closely together with customers worldwide to develop, tailor and adapt our product portfolio for broadcast and network solutions to future market requirements with most reliable quality standards.

The Waveguide Switching System is ideally suited to the RCU 5000 series and HPA DBS-Band series manufactured by ND SatCom. Predefined cable sets with easy integration of the complete redundant system in a dedicated designed indoor frame or complex switching systems with filters, hybrid couplers according to customer needs are also possible.

Each unit is individually tested with test procedures which are prepared and released by the Prime System Engineer. Our switching system is the best choice for high performance redundancy applications specifically tailor engineered and adapted for the customers.

KEY FEATURES

- Compact design
- Easy Installation and Maintenance
- Highly reliable
- Indoor Version
- Designed for ND SatCom RCU applications
- Compatible with ND SatCom HPAs
- Standard cable set

OPTIONS

- Crossguide coupler
- Air inlet & pressure window
- Antenna/Load Switch
- Polarization Switch

ND SATCOM

TECHNICAL SPECIFICATION

RF SPECIFICATIONS

Frequency Range	DBS-Band (17.3 GHz – 18.4 GHz)
Waveguide Size	WR62
Insertion loss	< 0.8 dB
VSWR (Max.)	1:1.22
Max. Power capacity (Load)	1000 W

ENVIRONMENTAL SPECIFICATIONS

Temperature Range	-35 °C to + 65 °C
-------------------	-------------------

PHYSICAL SPECIFICATIONS

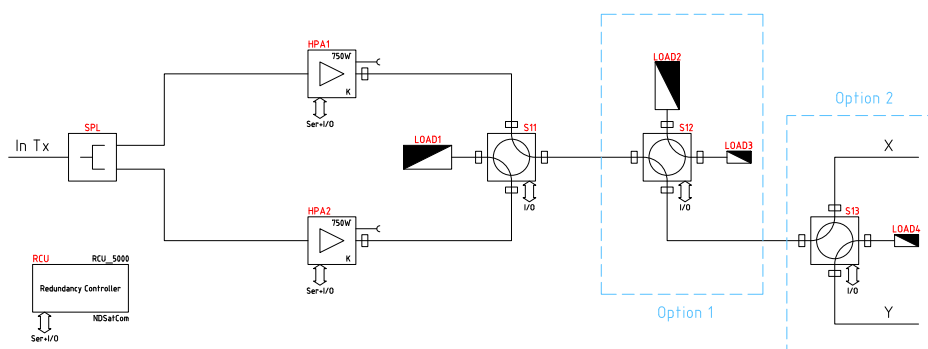
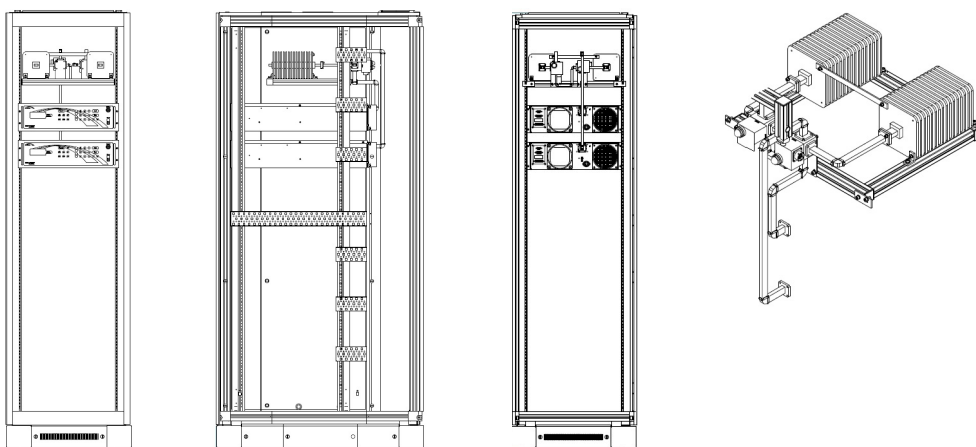
Mechanical Size (LxWxH)	for integration into 19" Rack
Weight without HPA (approx.)	13 kg

INTERFACES

Controller	RCU 5000 series
Mountable HPA	2717A, 2717AL

ORDER CODE

Redundant	Main Unit
Antenna/Load Switch	Option 1
Polarization Switch	Option 2



HEADQUARTERS

ND SatCom GmbH
 Graf-von-Soden-Strasse
 88090 Immenstaad
 Germany
 PHONE: +49 7545 939 0
 FAX: +49 7545 939 8780
 E-Mail: info@ndsatcom.com

CHINA

ND SatCom (Beijing) Co. Ltd.
 PHONE: +86 10 6590 6869/6878

MIDDLE EAST

ND SatCom FZE
 PHONE: +97148865012

www.ndsatcom.com

ND SATCOM