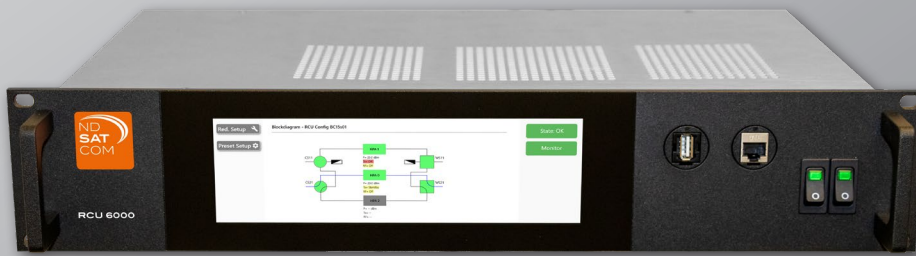




INSTALLING
RELIABILITY



www.ndsatcom.com

REDUNDANCY CONTROL

RCU 6000

The ND SATCOM RCU 6000 redundancy controller manages 1:1 redundant transmit chains and up to 6:1 redundant transmit chains as an option. It is ideally suited for the usage with ND SATCOM components like TWT Amplifiers integrated in our WaveGuide Switching systems. Up to six waveguide/coax switches can be controlled at the wide touchscreen, automatically or by remote interface. The 2U device monitors the active transmit chain and switches automatically to the redundant chain in case of a failure. A redundant power supply increases the reliability of the RCU 6000.

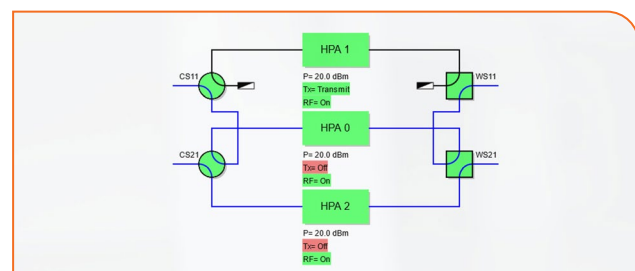
A large graphic touchscreen visualizes the current state of the redundant system and enables the operator to monitor and control ND SATCOM components. Operators can remotely supervise and control the status of the RCU 6000 and the transmit path via its WebUI or the M&C system.

The RCU 6000 with its powerful processor may control many devices guaranteeing extremely fast redundancy switchovers and still is capable to perform additional control tasks if needed.

From controlling a single HPA up to 6:1 transmit chains and many baseband devices - the RCU 6000 may become your reliable M&C solution.

FEATURES

- Automatic Redundancy switching of any device with automatic configuration of all attached devices and chains
- Redundant power supply
- Touchscreen
- TCP, UDP and proprietary protocols to devices and M&C system
- Web server
- On request, customised software for special set-ups
- Replacement for E200A Unit
 - control all ND SATCOM HPAs
- Functional replacement for RCU 5000B
 - preinstalled 1:1 and 2:1 redundancy application



2:1 SOLUTION VIA TOUCHSCREEN

TECHNICAL SPECIFICATIONS – RCU 6000

USER INTERFACES

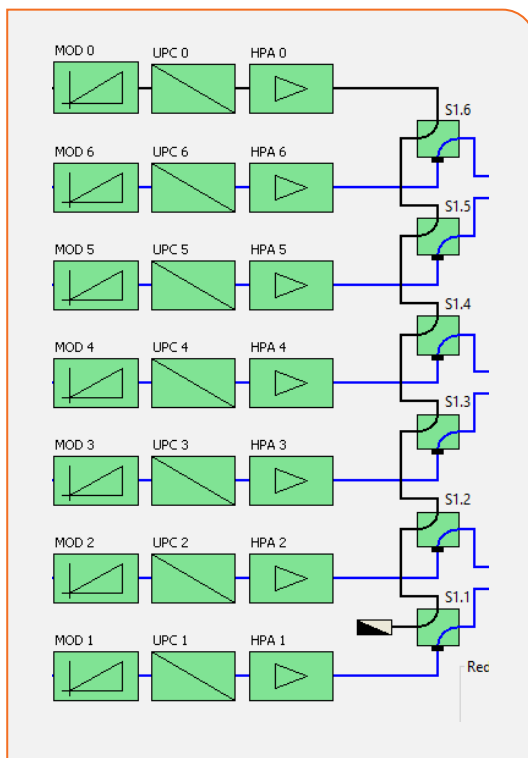
Local HMI	Color display with wide 2U touchscreen
Local Interface	1x USB-2.0 (Host, max. 500mA)
Remote Interface	1x Gbit/s Ethernet RJ-45 port for web-based GUI and JSON TCP API, SNMP optional

DEVICE INTERFACES

Serial Interfaces	2x RS485 (configurable as RS232)
LAN Interfaces	1x Gbit/s Ethernet and 8x 10/100 BaseT Ethernet RJ-45 ports with LAN switch for TCP (REST, Webservices, Serial over LAN), UDP (SNMP) and proprietary protocols
Alarm Inputs	8x independent (dry contact or open collector)
Supported Switches	6x waveguide or coax with switch position indicators
DC Output	typ. 30V/0.5A, up to 3A if no switch is active, protected with fuse
Universal I/O Interfaces	optional up to 6 inputs and up to 10 outputs for customer specific solutions

ENVIRONMENTAL SPECIFICATIONS

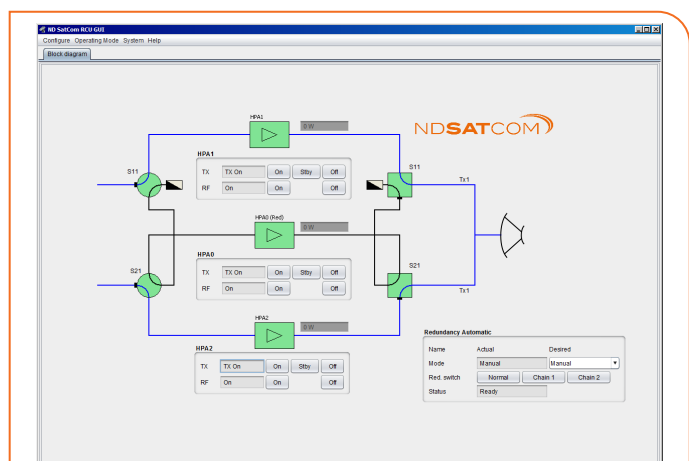
Temperature Range	0°C to + 50°C, fanless
Humidity	95% non-condensing
Dimensions (W x H x L)	19" x 2U x 350 mm
Weight	6.3 kg
Packing Dimensions	600 x 450 x 280 mm
Prime Power	100–240 VAC, 47–63 Hz (redundant power supply)
Power Consumption	typ. 12W, max. 15W, peak 110W (when 3 switches actuated simultaneously)
Regulatory Approvals	CE conformity marking



6:1 SOLUTION WITH MODULATORS, UPCONVERTERS AND HPAs



REAR VIEW WITH INTERFACES



M&C GUI FOR RCU 6000 BASED 2:1 SOLUTION

HEADQUARTERS

ND SatCom GmbH
 Graf-von-Soden-Strasse
 88090 Immenstaad
 Germany
 PHONE: +49 7545 939 0
 FAX: +49 7545 939 8780
 E-Mail: info@ndsatcom.com

CHINA

ND SatCom (Beijing) Co. Ltd.
 PHONE: +86 10 85321 826

MIDDLE EAST

ND SatCom FZE
 PHONE: +971 4886 5012

WEST AFRICA

ND SatCom Senegal
 PHONE: +221 77 569 8017

ND SatCom reserves the right to make changes in its products, specifications or pricing at any time and without notice.

©NDSATCOM · WWW.NDSATCOM.COM