



INSTALLING
RELIABILITY

Redundancy Controller Unit RCU 6000



RCU 6000 – Modern and Powerful



Simplify Usability

Touchscreen
Live view WebUI
Pre-Installed Apps



Extended Control

Up to 6x Chains
Chains with ENC/MOD/UPC/HPA



Faster M&C

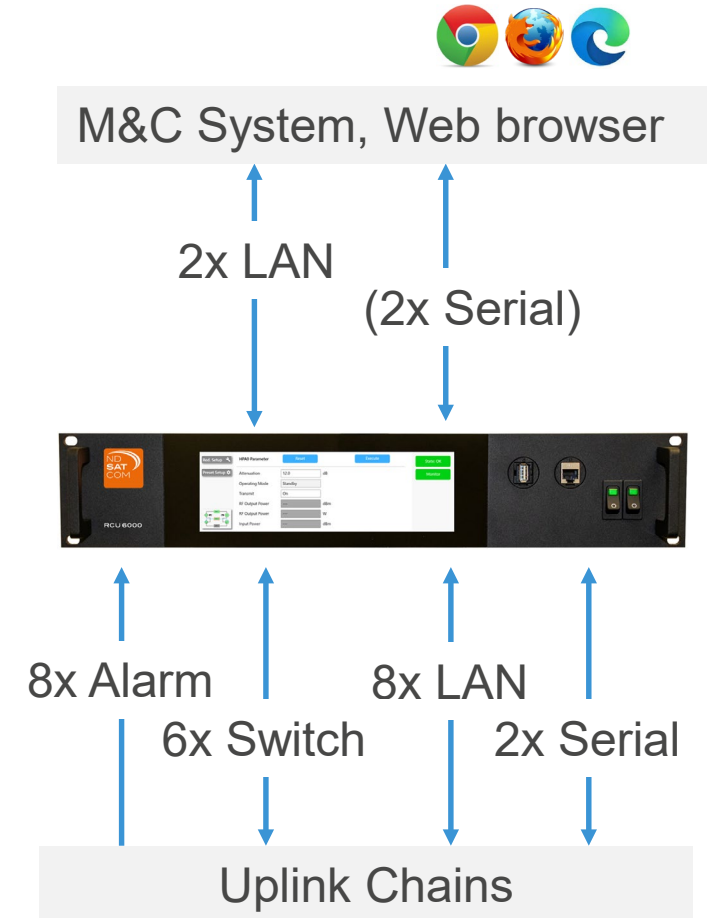
Ultra fast Control
8x LAN ports
M&C over Fast Ethernet

RCU 6000 - Interfaces

- North Bound User Interfaces
 - 100/1000BaseT, optional Service Ports (RS232, deactivating RS485)
 - Protocol options: WebUI, JSON, SNMP (optional)

- Touchscreen
 - Wide Screen 1280 x 400 pixel

- South Bound Control Interfaces
 - Application may use serial interfaces (RS232 or RS485) or 100BaseT LAN
 - Protocol options: SNMP or device specific



RCU 6000 - 2U Unit with Redundant Power Supply

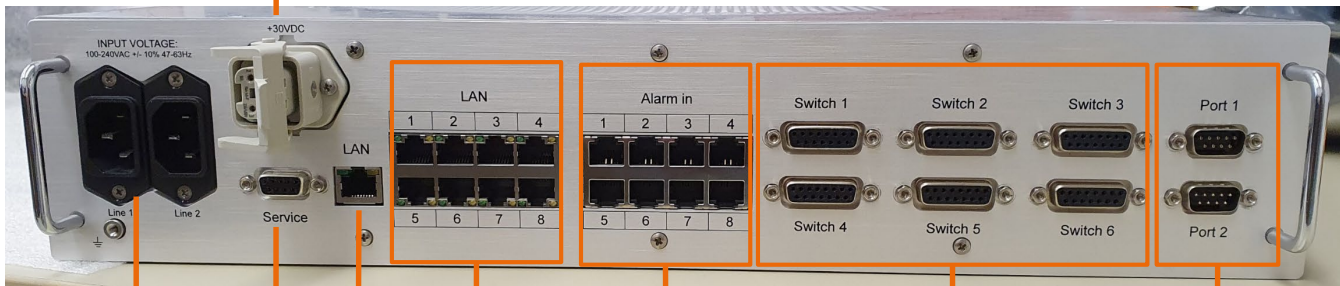


Touchscreen

USB-2
1Gbit/s

On/Off

30VDC
out



AC

2x
RS232

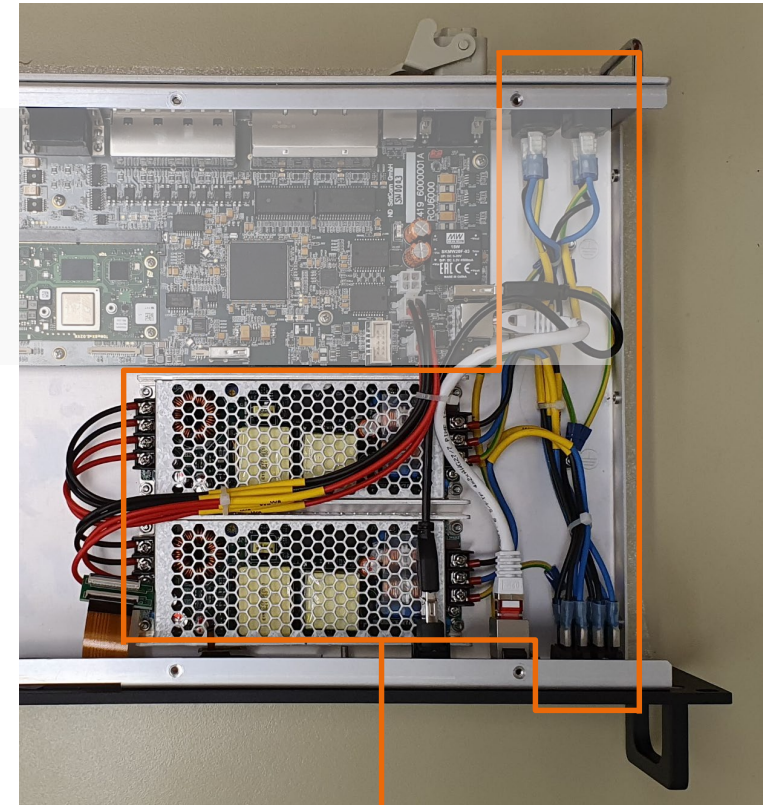
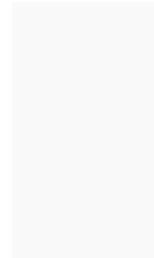
1Gbit/s

100BaseT
Switch

Alarm IN

6x Switch

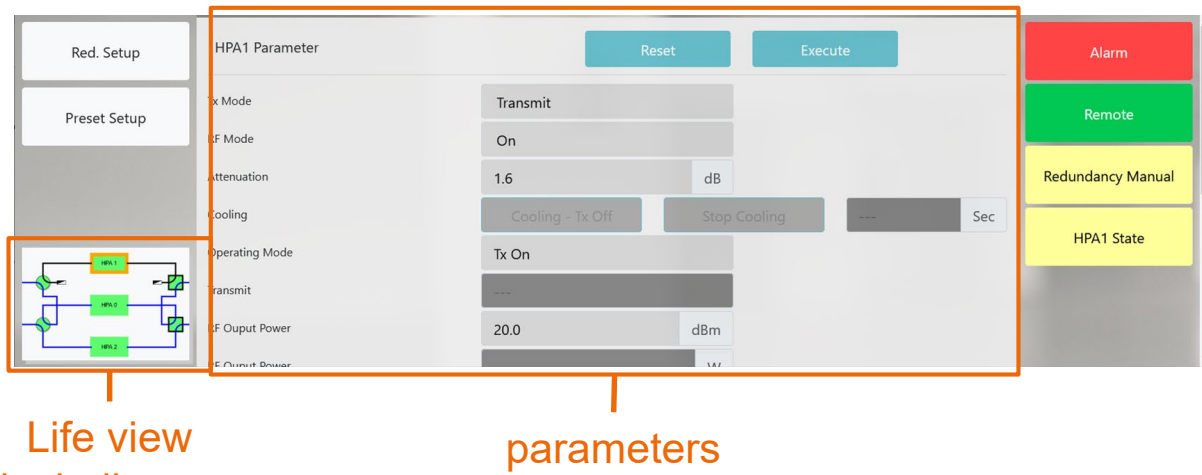
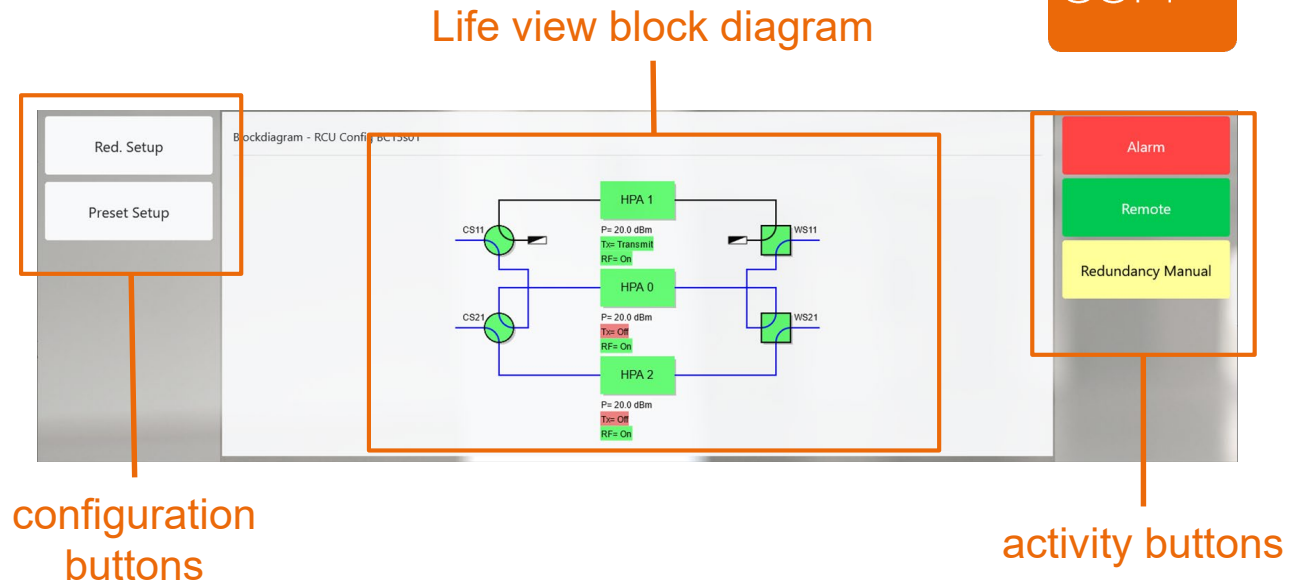
2x RS485



redundant AC power supplies
(2x AC plugs, 2x On/Off switches)

RCU 6000 - Touchscreen

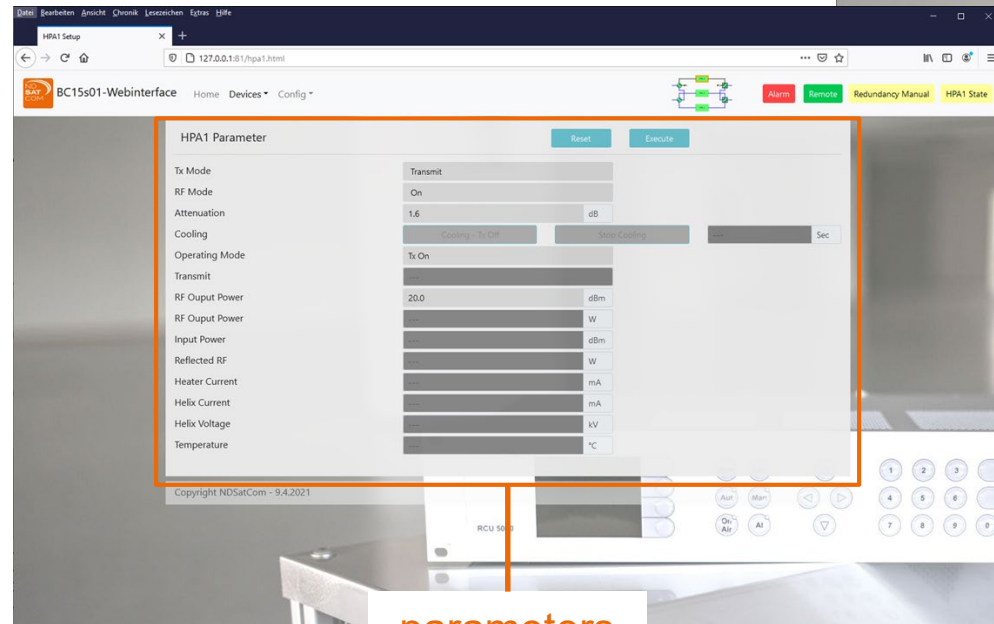
- Live view
 - Signal path and devices in block diagram with status colours
 - parameter change updates block diagram
 - Click on device to configure
 - Click on Alarm to open device panel



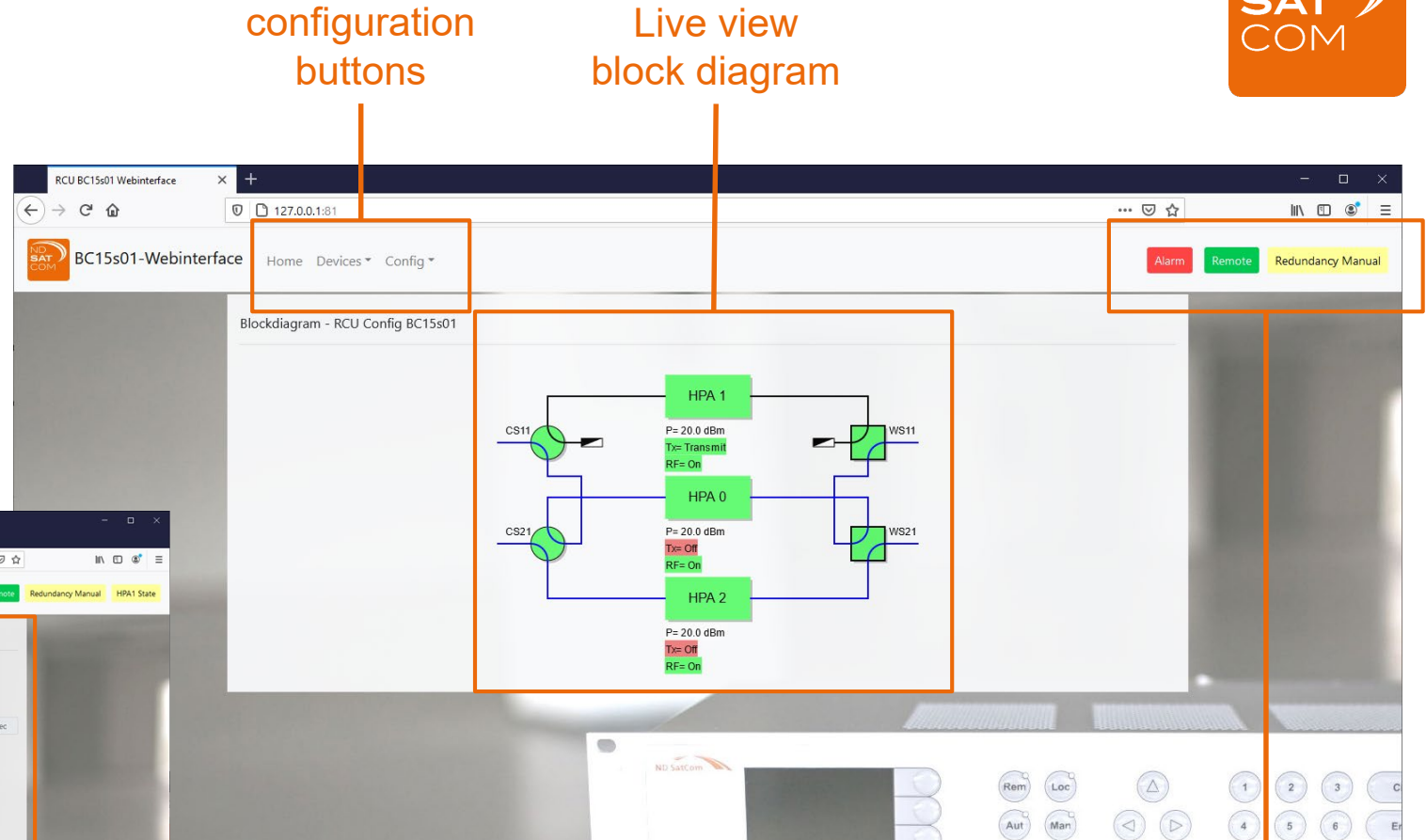
- Life view block diagram always visible
- Highlight device when modifying its parameters
- Identical design in Web UI

RCU 6000 - WebUI

- Live view
 - Signal path in block diagrams with status colouring
 - Automatic parameter refresh



parameters



configuration buttons

Live view block diagram

activity buttons

- Scales to display format (PC, tablet, smartphone)
- All browsers supported

RCU 6000 - Configurations

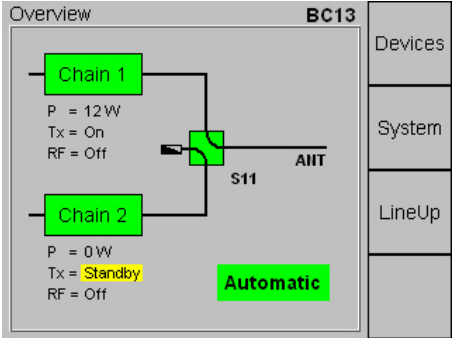
New with RCU 6000

RCU 5000

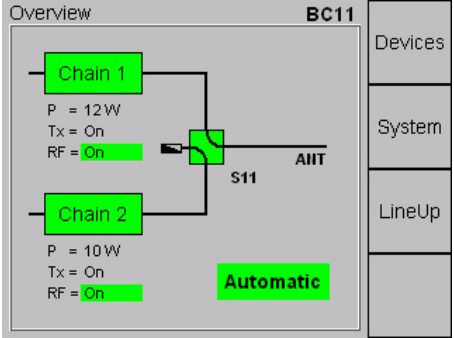


**1x HPA
(replaces E200A)**

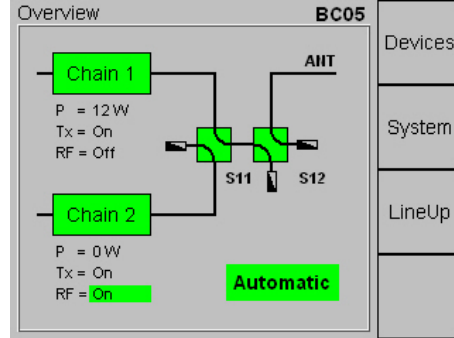
← 2x HPA plus ALARM_IN from Tx chain devices →



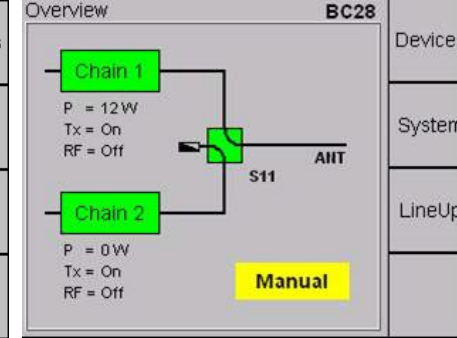
2x HPA
1x switch



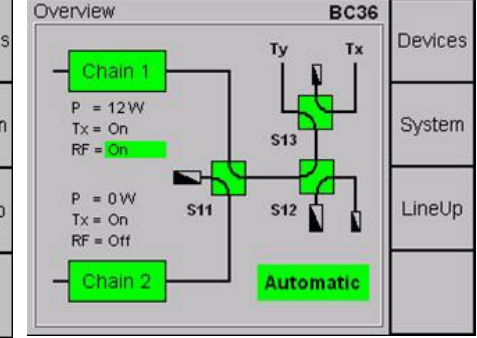
2x HPA
2x ENC/MOD (ALARM_IN)
1x switch



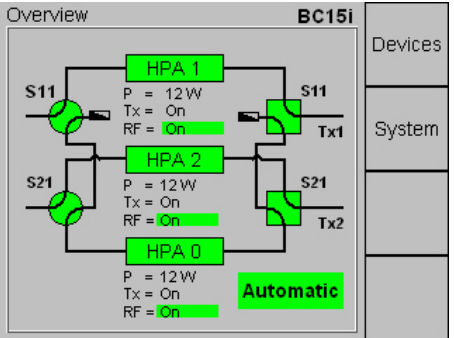
2x HPA
2x MOD (ALARM_IN)
2x switches



2x HPA
2x UPC (serial, Alarm_In)



2x HPA
2x MOD (serial, Alarm_In)
3x switches



3x HPA
2x switches

up to 6:1 Tx Chains
7x HPA
6x switches
.....

Additional tasks:
+ ACTS
+

RCU 6000 - Advantage for Customer

- 6 waveguide / coax switch interfaces → **Up to 6:1 redundant chains**
 - 30 VDC output @ 90 W peak
 - ✓ activate up to 3x switches synchronously

- Performance increase → **Control all devices (ENC + MOD + Upconverter + HPA) in Tx chains**
 - Responsiveness in UI
 - ✓ better User Experience (UE) with Touchscreen and browser
 - Multi-Core CPU
 - ✓ ready for additional & customized processing tasks (ACTS,...)
 - 2x 1Gbit/s LAN for remote operator
 - ✓ faster APIs for remote service or M&C system uplink

- Ethernet and serial ports for controlled devices → **More flexible cabling**
 - 8x Fast Ethernet ports
 - ✓ LAN switch extends low speed serial ports to connect more devices
 - serial ports
 - ✓ serial ports either RS232 or RS485



INSTALLING
RELIABILITY

Thank You!

ND SATCOM GmbH
Graf-von-Soden Strasse
88090 Immenstaad
Germany
T: +49 7545 939-0
info@ndsatcom.com