



INSTALLING
RELIABILITY



www.ndsatcom.com

WAVEGUIDE SWITCHING SYSTEM 1+1 REDUNDANCY 400 W KU-BAND OUTDOOR

ND SATCOM has been a supplier to the Satellite Communication industry for over three decades and has built up an excellent reputation for consistently developing high-end satellite communication products at competitive prices to our customers in more than 130 countries worldwide. Our team of dedicated engineers work closely together with customers worldwide to develop, tailor and adapt our product portfolio for broadcast and network solutions to future market requirements with most reliable quality standards.

The WAVEGUIDE SWITCHING SYSTEM is ideally suited to the RCU series (Remote Controller Units) and HPA Ku-Band series manufactured by ND SATCOM. Predefined cable sets with easy integration of the complete redundant system in a dedicated designed outdoor frame or complex switching systems with filters, hybrid couplers according to customer needs are also possible.

Each waveguide section is manual and is individually tuned by hand to optimise the VSWR value for minimal reflection and ensure a long life span for the HPAs. The complete system is tested with the test procedures, which are prepared and released by the Prime System Engineer. Our switching system is the best choice for high performance redundancy applications specifically tailor engineered and adapted for the customers.

KEY FEATURES

- Compact design
- Easy Installation and Maintenance
- Highly reliable
- Outdoor Version
- Designed for ND SATCOM RCU applications
- Compatible with ND SATCOM HPAs
- Standard cable set

OPTIONS

- Crossguide coupler
- Air inlet & pressure window
- Antenna/Load Switch
- Polarisation Switch
- Fully covered
- Filter combiner & 3dB Hybrid
- Customised design on request
- Lightning protection

TECHNICAL SPECIFICATIONS

RF SPECIFICATIONS

Frequency Range	Ku-Band (12.75 GHz – 14.5 GHz)
Waveguide Size	WR75
Insertion loss	<0.3 dB
VSWR (Max.)	1:1.22
Max. Power capacity (Load)	1,000 W

ENVIRONMENTAL SPECIFICATIONS

Temperature Range	-35 °C to +65 °C
-------------------	------------------

PHYSICAL SPECIFICATIONS

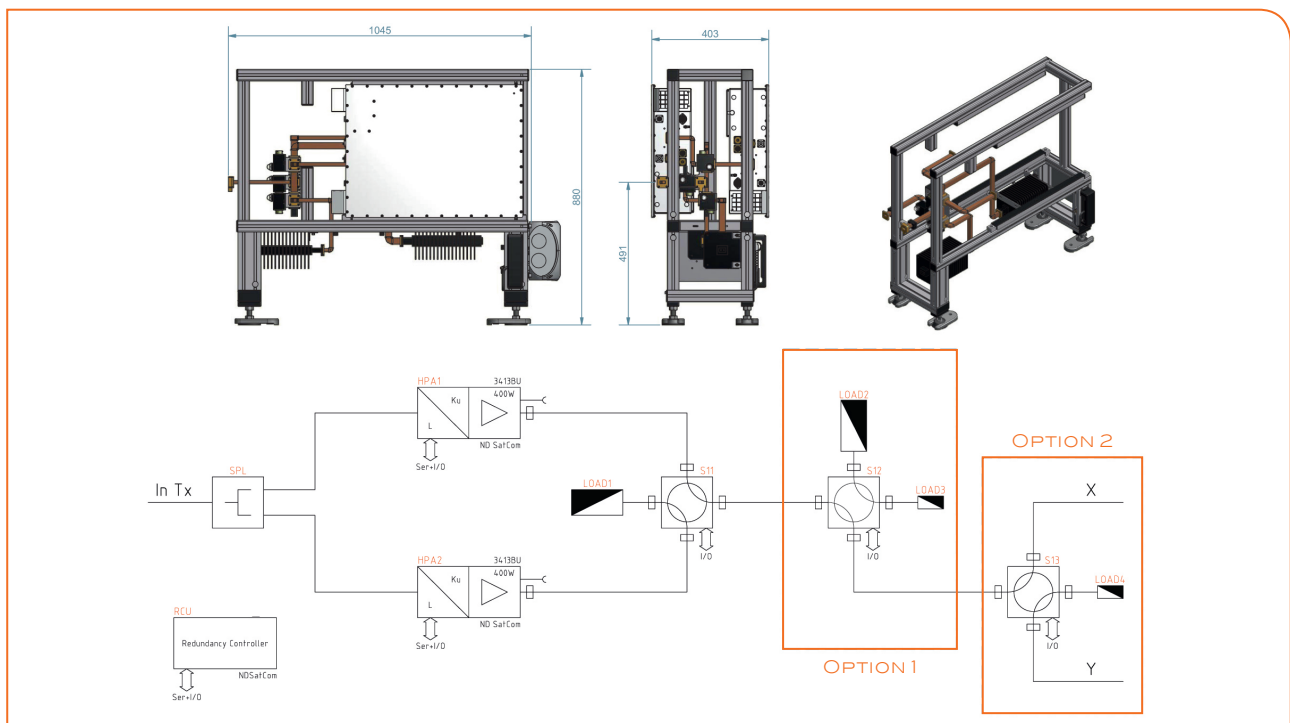
Mechanical Size (LxWxH)	1045 x 403 x 880 mm
Weight without HPA (approx.)	35 kg

INTERFACES

Controller	ND SATCOM RCU controller
Mountable HPA	ND SATCOM outdoor Ku-Band HPAs

AVAILABLE OPTIONS

Antenna/Load Switch	Option 1 (see diagram below)
Polarisation Switch	Option 2 (see diagram below)
Crossguide Coupler	on request
Air inlet & pressure window	on request
Filter combiner/Hybrids	on request
Lightning protection	on request



HEADQUARTERS

ND SatCom GmbH
 Graf-von-Soden-Strasse
 88090 Immenstaad
 Germany
 PHONE: + 49 7545 939 0
 FAX: + 49 7545 939 8780
 E-Mail: info@ndsatcom.com

CHINA

ND SatCom (Beijing) Co. Ltd.
 PHONE: +86 10 6590 6869/6878

MIDDLE EAST

ND SatCom FZE
 PHONE: +971 4886 5012

WEST AFRICA

ND SatCom Senegal
 Phone: +221 77 569 8017